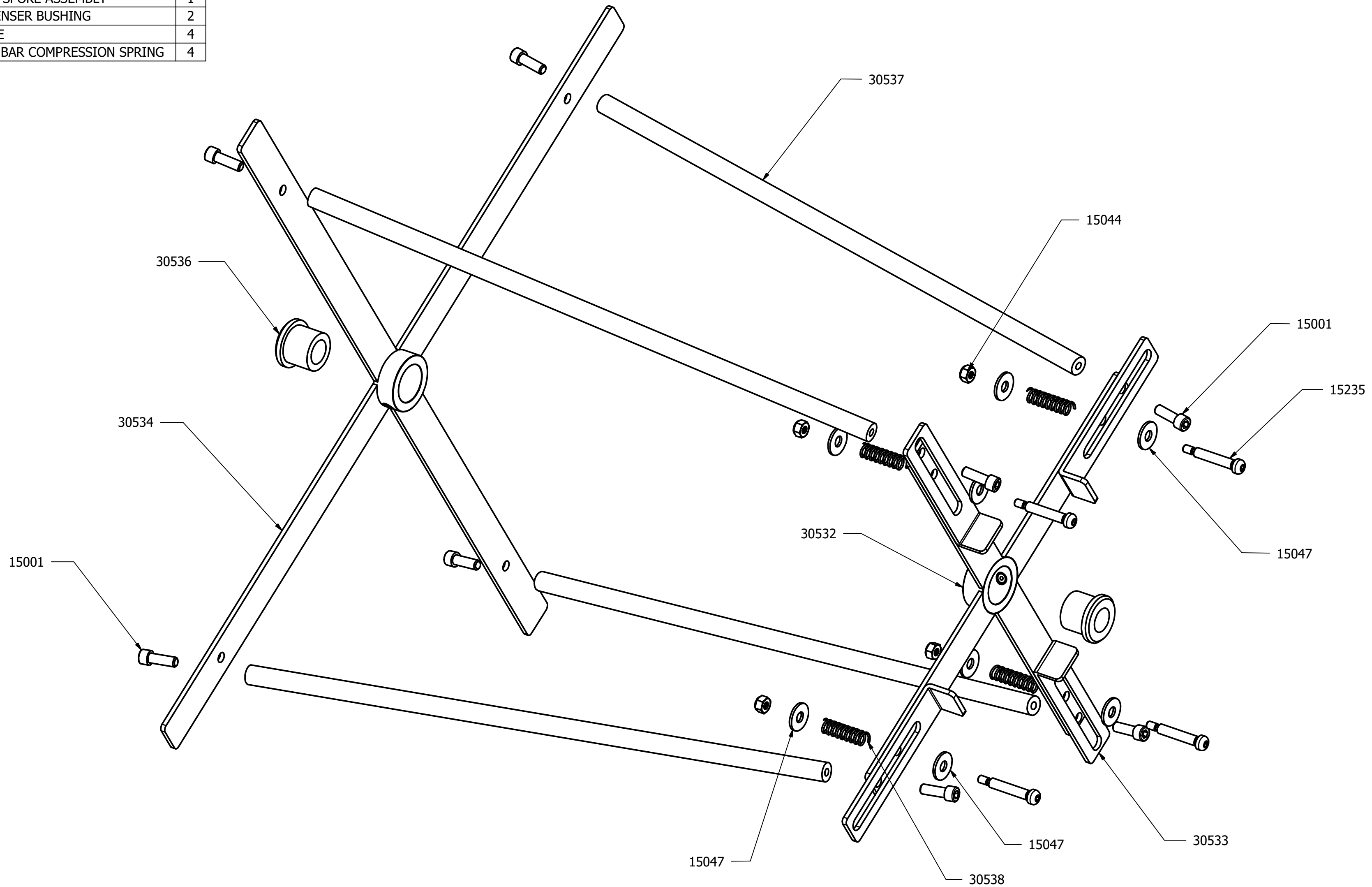


www.encorehartco.com
info@encorefasteners.com
 Northbrook, Illinois 60062 U.S.A.
 Phone: 224-723-5524
 Fax: 224-723-5526

PART NUMBER	DESCRIPTION	QTY
15027	SHCS, 1/4-20 x 1/2	1
15028	SHCS, 1/4-20 x 5/8	8
15047	WASHER, 1/4 x 5/8	1
15051	SHCS, 10-32 x 3/8	5
15056	SHCS, 10-32 x 3/4	4
15092	SHCS, 5/16-18 x 1	1
15125	SHCS, 3/8-16 x 2	1
15155	SHCS, 5/16-24 x 1-3/4	2
15167	NUT, 5/16-24 FLEX-TOP	3
15230	SHCS, 3/8-16 x 3-3/4	1
15333	MUFFLER, 3/8 NPT	1
15512	PUSH-IN FTG 0.25 X 1/8 NPT	1
16038	SHCS, 5/16-24 x 2	2
20050	SHCS, 10-32 x 1/2	3
20071	VALVE, QUICK EXHAUST 1/4 x 1/4 x 3/8	1
20305	SHCS 10-32 x 1	10
20326	PUSH-IN FTG, 0.25 x 1/8 NPT FEMALE	1
20327	CYLINDER, 1-1/2" BORE x 3" STROKE	1
20330	T-NUT, 3/8" SLOT	1
20331	WASHER, 5/16" x 3/4"	1
20332	SHCS, 10-32 x 1-3/4	4
20333	SHCS, M6 x 0.75 x 16mm	1
20334	TEE, 1/4 NPT MALE	1
20335	PUSH-IN FTG, 0.5 x 1/4 NPT BRASS	1
20336	AIR HOSE, .25 x 12"	1
30501	ANTI-BACKUP SPRING	1
30502	RIGHT GUARD	1
30503	LEFT GUARD	1
30504	PRIMARY MOUNT PLATE	1
30505	CYLINDER MOUNT	1
30506	CUTTING INSERT - BLADE	1
30507	DRIVER BLADE	1
30508	FRONT PLATE INSERT RETAINER	1
30509	FRONT PLATE INSERT	1
30510	ADJUSTMENT KNOB ASSEMBLY	1
30511	SIDE BLADE GUIDE	2
30512	FRONT BLADE GUIDE	1
30513	SPRING SPACER	1
30514	FEED CYLINDER MOUNT	1
30515	TORSION SPRING	1
30516	TOOL SPACER	2
30517	CUTTING INSERT - RAIL	2
30518	ENTRY GUIDE	1
30519	SIDE MOUNT PLATE	1
30520	ANTI BACKUP GUIDE	1
30521	ANTI-BACKUP CATCH	1
30522	REAR GUIDE RAIL	1
30523	FRONT GUIDE RAIL	1
30524	CYLINDER COLLAR	1
30525	PANEL GUIDE ARM	1
30526	PANEL POST	2
30527	INSERT	1
30528	INSERT HOLDER	1
30529	BASE PLATE	1
50005	FEED CYLINDER ASSEMBLY	1
58017	FEEDER CYLINDER MOUNT BLOCK	1
EVC7473	URETHANE SPRING	1

DRAWN	8/26/2016	ECF HOLDINGS, LLC NORTHBROOK, ILLINOIS 60062 U.S.A.		
SPN				
CHECKED		TITLE		
QA		LOCKNAIL TOOL		
MATL				
HEAT TREAT				
FINISH				
		SIZE	DWG NO	REV
		C	30530	
		SHEET 2 OF 4		

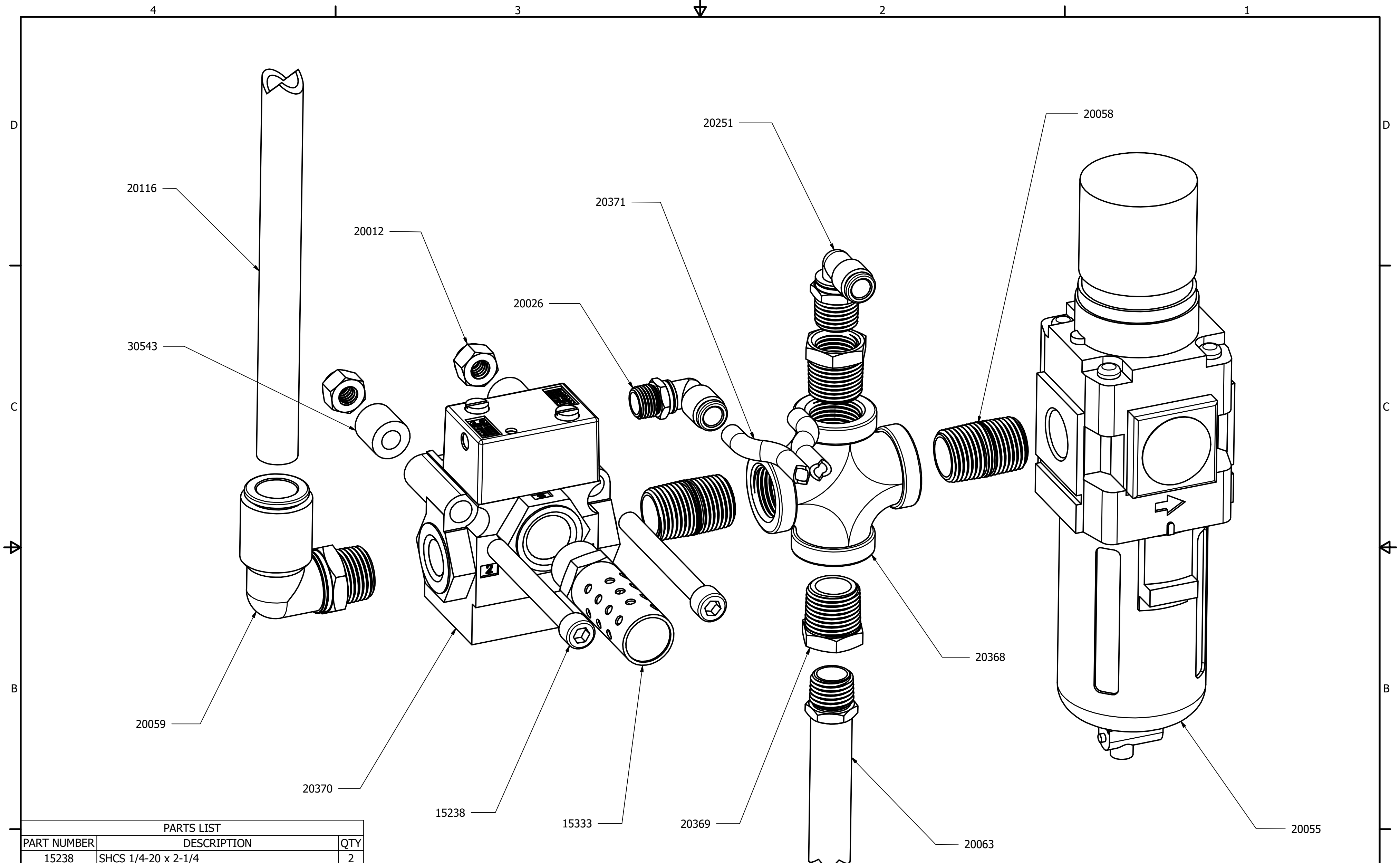
PART NUMBER	DESCRIPTION	QTY
15001	SHCS 1/4-20 x 3/4	8
15044	NUT, NYLOCK 10-24	4
15047	WASHER, 1/4 x 5/8 x 1/16	8
15235	SHSS 1/4 x 1-1/4	4
30532	SHORT SPOKE ASSEMBLY	1
30533	CONE LOCK BAR	4
30534	LONG SPOKE ASSEMBLY	1
30536	DISPENSER BUSHING	2
30537	SPOKE	4
30538	LOCK BAR COMPRESSION SPRING	4



DRAWN	SPN	8/26/2016	ECF HOLDINGS, LLC NORTHBROOK, ILLINOIS 60062 U.S.A.		
CHECKED					
QA	TITLE			DISPENSER ASSEMBLY	
MATL					
HEAT TREAT					
FINISH					
	SIZE	C	DWG NO	30535	REV
			SHEET 3 OF 4		



www.encorehartco.com • info@encorefasteners.com
Northbrook, Illinois 60062 U.S.A.
Phone: 224-723-5524 • Fax: 224-723-5526



PARTS LIST

PART NUMBER	DESCRIPTION	QTY
15238	SHCS 1/4-20 x 2-1/4	2
15333	MUFFLER, 3/8 NPT	1
20012	NUT, NYLOCK, 1/4-20	2
20026	PUSH-IN TUBE FITTING 0.25 X 1/8 NPT, ELBOW	1
20055	3/8 NPT REGULATOR	1
20058	CLOSE NIPPLE 3/8 NPT	2
20059	PUSH-IN TUBE FITTING 0.5 X 3/8 NPT, ELBOW	1
20063	COIL HOSE	1
20116	1/2" x 39" POLYETHYLENE TUBING	1
20251	PUSH-IN TUBE FITTING 0.25 x 1/4 NPT, ELBOW	1
20368	3/8 NPT CROSS	1
20369	BUSHING, NPT 3/8 MALE - 1/4 FEMALE	2
20370	VALVE, 3/2, AIR OPERATED , 3/8 NPT	1
20371	1/4" x 45" JOINED TUBING	1
30543	STANDOFF	2



www.encorehartco.com • info@encorefasteners.com
 Northbrook, Illinois 60062 U.S.A.
 Phone: 224-723-5524 • Fax: 224-723-5526

DRAWN	8/26/2016	ECF HOLDINGS, LLC NORTHBROOK, ILLINOIS 60062 U.S.A.	
SPN			
CHECKED		TITLE	
QA		PNEUMATICS ASSEMBLY	
MATL		SIZE	DWG NO
HEAT TREAT		C	30542
FINISH			REV
		SHEET 4 OF 4	