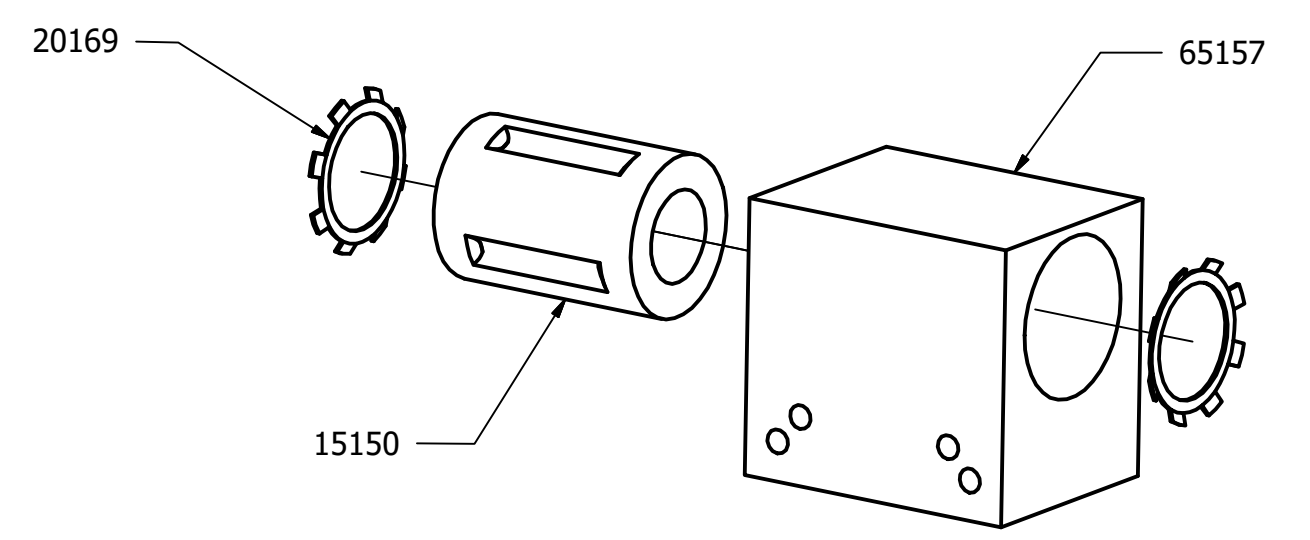


| EA30190 CC-'F-H' SYSTEM |  |     |
|-------------------------|--|-----|
| PART NUMBER             | DESCRIPTION                                | QTY |
| EA2500/2800             | ECLIPSER (VARIES DEPENDING ON APPLICATION) | 1   |
| 15100                   | NUT, 3/8-16 HEX                            | 4   |
| 15240                   | WASHER, 3/8"                               | 1   |
| 15256                   | WASHER, 3/8" LOCKING                       | 4   |
| 15598                   | SHCS 3/8-16 X 3/4                          | 1   |
| 15624                   | SHCS, 1/4-28 x 3/4                         | 2   |
| 20028                   | PUSH-IN STRAIGHT FTG. 1/4" NPT 3/8" TUBE   | 1   |
| 20054                   | 3/8 NPT LUBRICATOR                         | 1   |
| 20055                   | 3/8 NPT REGULATOR                          | 1   |
| 20056                   | TOOL BALANCER                              | 1   |
| 20057                   | COLLAR, SINGLE SPLIT 1/2"                  | 2   |
| 20058                   | CLOSE NIPPLE 3/8 NPT                       | 1   |
| 20060                   | EYE HOOK, 3/8-16                           | 1   |
| 20063                   | COIL HOSE ASSEMBLY                         | 1   |
| 20167                   | PUSH-IN 90 DEG. ELBOW FTG 3/8 NPT x 3/8    | 1   |
| 20168                   | CARRIAGE ROD                               | 1   |
| 20170                   | 3/8" AIR HOSE                              | 1   |
| 20171                   | COUPLER BODY, 1/4 x 1/4 NPT FEMALE         | 1   |
| 20172                   | HHCS, 3/8-16 x 2-3/4                       | 4   |
| 20173                   | NUT, 3/18-16 HEX NYLOCK                    | 2   |
| 20177                   | 1/4 NPT FEMALE 90 DEG. ELBOW FTG           | 1   |
| 30157                   | CLIP TRACK "F-H" ASSEMBLY                  | 1   |
| 30158                   | SPOOL SUPPORT ROD                          | 1   |
| 30159                   | CARRIAGE ASSEMBLY                          | 1   |
| 30164                   | UPRIGHT WELDMENT                           | 1   |
| 30165                   | UPPER WELDMENT                             | 1   |
| 30170                   | BASE WELDMENT                              | 1   |

\*SOLD SEPARATELY

| 30157 CLIP TRACK "F-H" ASSEMBLY |                        |     |
|---------------------------------|------------------------|-----|
| PART NUMBER                     | DESCRIPTION            | QTY |
| 20020                           | SHCS, 8-32 x 1/4       | 28  |
| 20021                           | HEX NUT, 8-32 THIN HT  | 24  |
| 30155                           | CLIP TRACK "F-H"       | 1   |
| 30156                           | CLIP TRACK GUIDE "F-H" | 14  |

| 30159 CARRIAGE ASSEMBLY |                         |     |
|-------------------------|-------------------------|-----|
| PART NUMBER             | DESCRIPTION             | QTY |
| 15150                   | 1/2" LINEAR BUSHING     | 1   |
| 20169                   | INTERNAL RETAINING RING | 2   |
| 65157                   | BLOCK, TRACK CARRIAGE   | 1   |



|              |           |   |         |     |
|--------------|-----------|---|---------|-----|
| DRAWN        | 4/28/2016 | <b>ECF HOLDINGS, LLC</b><br>NORTHBROOK, ILLINOIS 60062 U.S.A. |         |     |
| SPN          |           |   |         |     |
| CHECKED      |           | TITLE   |         |     |
| QA           |           | <b>CC "F-H" SYSTEM</b>  |         |     |
| MATL         |           |   |         |     |
| HEAT TREAT   |           | SIZE  | DWG NO  | REV |
| FINISH       |           | C   | EA30190 |     |
| SHEET 1 OF 1 |           |   |         |     |