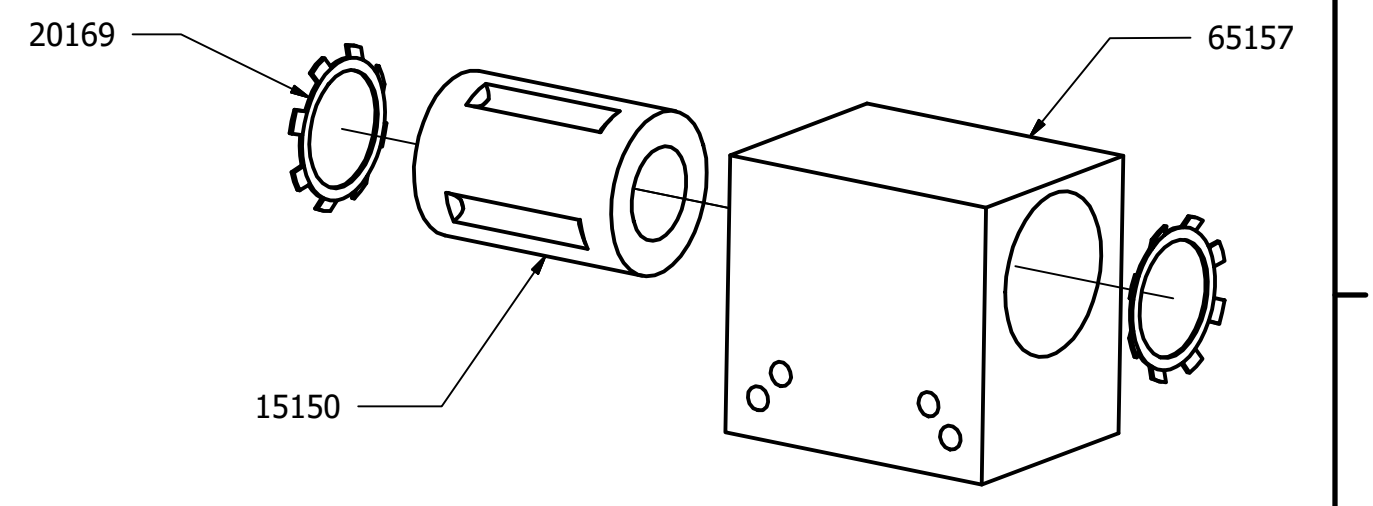


EA30180 CC-"A" SYSTEM		
PART #	DESCRIPTION	QTY
EA2500/2800	ECLIPSER (VARIES DEPENDING ON APPLICATION)	*
15100	NUT, 3/8-16 HEX	4
15240	WASHER, 3/8"	1
15256	WASHER, 3/8" LOCKING	4
15598	SHCS 3/8-16 X 3/4	1
15624	SHCS, 1/4-28 x 3/4	2
20028	PUSH-IN STRAIGHT FTG. 1/4" NPT 3/8" TUBE	1
20054	3/8 NPT LUBRICATOR	1
20055	3/8 NPT REGULATOR	1
20056	TOOL BALANCER	1
20057	COLLAR, SINGLE SPLIT 1/2"	2
20058	CLOSE NIPPLE 3/8 NPT	1
20060	EYE HOOK, 3/8-16	1
20063	COIL HOSE ASSEMBLY	1
20167	PUSH-IN 90 DEG. FTG 3/8 NPT x 3/8 TUBE	1
20168	CARRIAGE ROD	1
20170	COIL AIR HOSE	1
20171	COUPLER BODY, 1/4 x 1/4 NPT FEMALE	1
20172	HHCS, 3/8-16 x 2-3/4	4
20173	NUT, 3/8-16 HEX NYLOCK	2
20177	1/4 NPT FEMALE 90 DEG. ELBOW FTG	1
30123	CLIP TRACK "A" ASSEMBLY	1
30158	SPOOL SUPPORT ROD	1
30159	CARRIAGE ASSEMBLY	1
30164	UPRIGHT WELDMENT	1
30165	UPPER WELDMENT	1
30170	BASE WELDMENT	1

*SOLD SEPARATELY

30123 CLIP TRACK "A" ASSEMBLY		
PART #	DESCRIPTION	QTY
20020	SHCS, 8-32 x 1/4	28
20021	HEX NUT, 8-32 THIN HT	24
30121	CLIP TRACK "A"	1
30122	CLIP TRACK GUIDE "A"	14

30159 CARRIAGE ASSEMBLY		
PART #	DESCRIPTION	QTY
15150	1/2" LINEAR BUSHING	1
20169	INTERNAL RETAINING RING	2
65157	BLOCK, TRACK CARRIAGE	1



DRAWN	4/22/2016	ECF HOLDINGS, LLC NORTHBROOK, ILLINOIS 60062 U.S.A.		
SPN CHECKED				
QA		TITLE		
MATL		CC "A" SYSTEM		
HEAT TREAT		SIZE	DWG NO	REV
FINISH		C	EA30180	
		SHEET 1 OF 1		