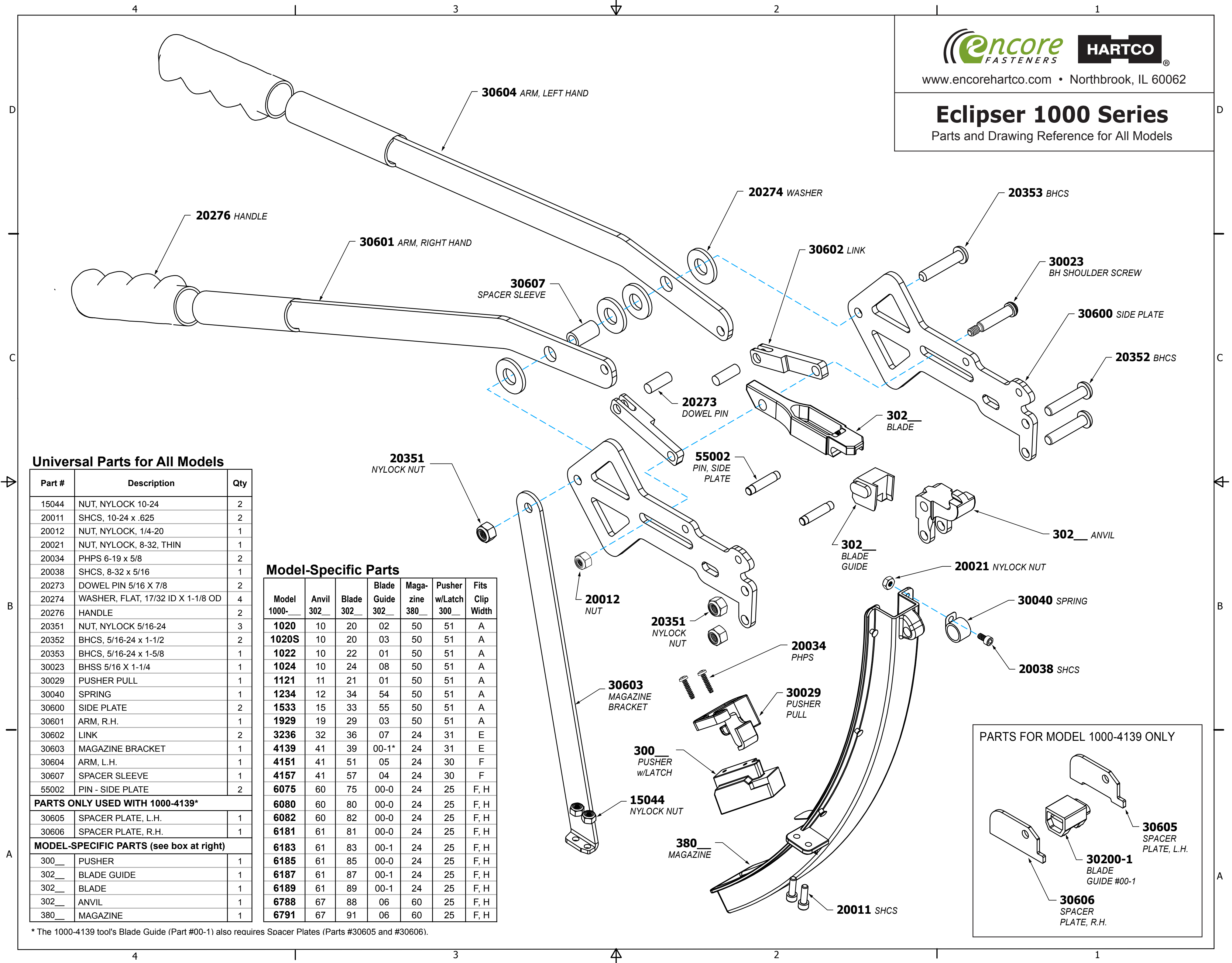


Eclipser 1000 Series

Parts and Drawing Reference for All Models



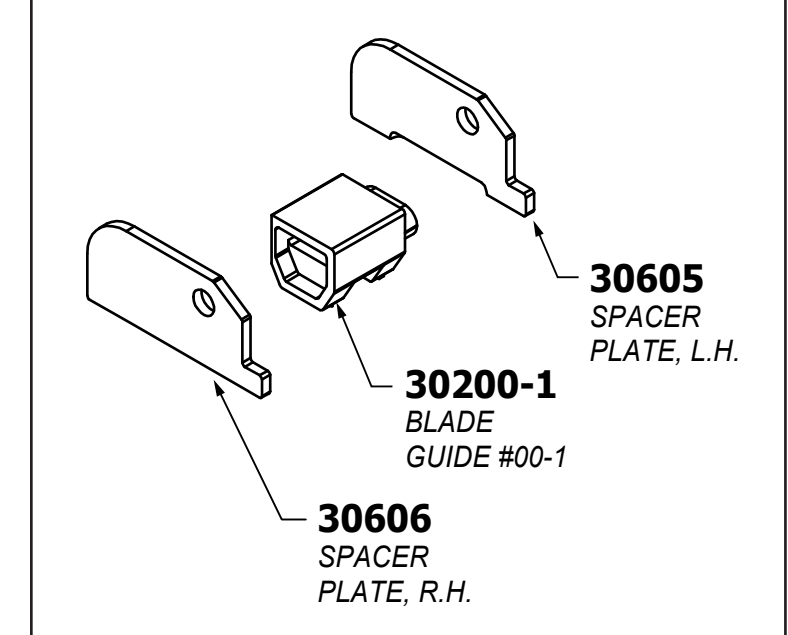
Universal Parts for All Models

Part #	Description	Qty
15044	NUT, NYLOCK 10-24	2
20011	SHCS, 10-24 x .625	2
20012	NUT, NYLOCK, 1/4-20	1
20021	NUT, NYLOCK, 8-32, THIN	1
20034	PHPS 6-19 x 5/8	2
20038	SHCS, 8-32 x 5/16	1
20273	DOWEL PIN 5/16 X 7/8	2
20274	WASHER, FLAT, 17/32 ID X 1-1/8 OD	4
20276	HANDLE	2
20351	NUT, NYLOCK 5/16-24	3
20352	BHCS, 5/16-24 x 1-1/2	2
20353	BHCS, 5/16-24 x 1-5/8	1
30023	BHSS 5/16 X 1-1/4	1
30029	PUSHER PULL	1
30040	SPRING	1
30600	SIDE PLATE	2
30601	ARM, R.H.	1
30602	LINK	2
30603	MAGAZINE BRACKET	1
30604	ARM, L.H.	1
30607	SPACER SLEEVE	1
55002	PIN - SIDE PLATE	2
PARTS ONLY USED WITH 1000-4139*		
30605	SPACER PLATE, L.H.	1
30606	SPACER PLATE, R.H.	1
MODEL-SPECIFIC PARTS (see box at right)		
300__	PUSHER	1
302__	BLADE GUIDE	1
302__	BLADE	1
302__	ANVIL	1
380__	MAGAZINE	1

Model-Specific Parts

Model 1000__	Anvil 302__	Blade 302__	Blade Guide 302__	Magazine 380__	Pusher w/Latch 300__	Fits Clip Width
1020	10	20	02	50	51	A
1020S	10	20	03	50	51	A
1022	10	22	01	50	51	A
1024	10	24	08	50	51	A
1121	11	21	01	50	51	A
1234	12	34	54	50	51	A
1533	15	33	55	50	51	A
1929	19	29	03	50	51	A
3236	32	36	07	24	31	E
4139	41	39	00-1*	24	31	E
4151	41	51	05	24	30	F
4157	41	57	04	24	30	F
6075	60	75	00-0	24	25	F, H
6080	60	80	00-0	24	25	F, H
6082	60	82	00-0	24	25	F, H
6181	61	81	00-0	24	25	F, H
6183	61	83	00-1	24	25	F, H
6185	61	85	00-0	24	25	F, H
6187	61	87	00-1	24	25	F, H
6189	61	89	00-1	24	25	F, H
6788	67	88	06	60	25	F, H
6791	67	91	06	60	25	F, H

PARTS FOR MODEL 1000-4139 ONLY



* The 1000-4139 tool's Blade Guide (Part #00-1) also requires Spacer Plates (Parts #30605 and #30606).